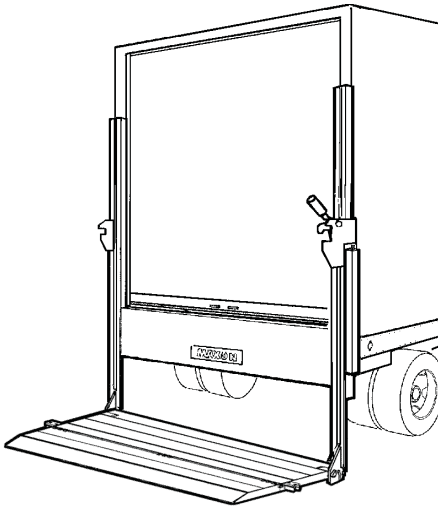


M-91-19  
REV. E  
JUNE 2009

# OPERATION MANUAL

# RAILGATE

## LIFT GATE SERIES



- RCM-1250C
- RCM-1250C AB
- RCM-16C
- RCM-16C AB

**MAXON**<sup>®</sup>  
LIFT CORP.

© MAXON Lift Corp. 2009

### KEEP THIS MANUAL IN CAB OF VEHICLE

Register your liftgate online at [www.maxonlift.com/htm/services/reg.htm](http://www.maxonlift.com/htm/services/reg.htm).  
For a free copy of other manuals that pertain to these liftgate models, please visit our website at [www.maxonlift.com](http://www.maxonlift.com) or contact customer service at (800) 227-4116.

# TABLE OF CONTENTS

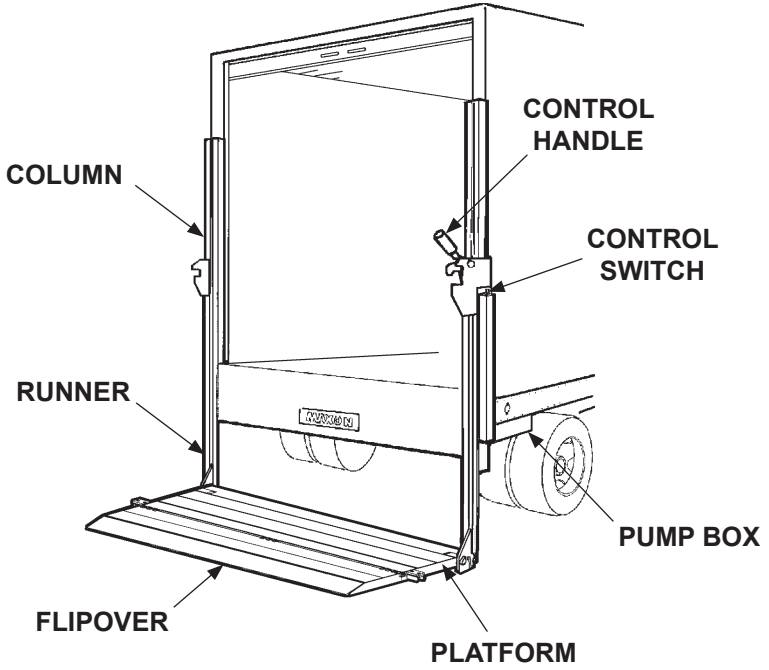
<b>WARNINGS</b> .....	<b>4</b>
<b>LIFTGATE TERMINOLOGY</b> .....	<b>5</b>
<b>ATTACH DECALS</b> .....	<b>6</b>
<b>FORKLIFT ADVISORY</b> .....	<b>7</b>
<b>OPERATION</b> .....	<b>8</b>

## **WARNING**

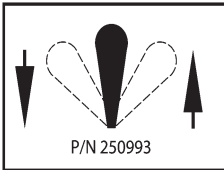
1. Incorrect operation of this Liftgate can result in serious personal injury. Comply with **WARNINGS** and Liftgate operating instructions in this manual. Do not allow untrained persons to operate the Liftgate. If you need to replace an **Operation Manual**, additional copies are available from:

**MAXON Lift Corp. Customer Service**  
**11921 Slauson Ave**  
**Santa Fe Springs, CA 90670**  
**(800) 227-4116**
2. Do not exceed rated **load capacity** of the Liftgates which is **1,250 lbs. for models RCM-1250C and RCM-1250C AB, and 1,600 lbs. for models RCM-16C and RCM-16C AB.**
3. Do not allow any part of your body to be placed under, within, or around any portion of the moving Liftgate or its mechanisms, or in a position that would trap them between the platform and the floor of truck body (or between platform and the ground) when Liftgate is operated.
4. Consider the safety and location of bystanders and location of nearby objects when operating the Liftgate. Stand to one side of platform while operating the Liftgate. Be certain that the area the Liftgate will move through during operation is clear of all obstacles.
5. Comply with all attached instruction decals and warning decals.
6. Keep decals clean and legible. If decals are illegible or missing, have them replaced. **Get free replacement decals from Maxon.**
7. **Never drive a forklift on the Liftgate platform.**
8. Do not move vehicle unless Liftgate is correctly stowed.
9. **Correctly stow platform when not in use. Extended platforms could create a hazard for people and vehicles passing by.**
10. A correctly installed Liftgate will operate smoothly and reasonably quiet. The only noticeable noise, during Liftgate operation, is from the power unit while the platform is being opened (SD models only), lowered (power down models only), raised, or closed. Listen for scraping, grating and binding noises and have the problem corrected before continuing to operate the Liftgate.
11. Above all, **USE GOOD COMMON SENSE** when operating this Liftgate.
12. Never use a cell phone while operating the Liftgate.

# LIFTGATE TERMINOLOGY



# DECALS



**CONTROL SWITCH  
DECAL**  
P/N 250993



**THE MAXIMUM CAPACITY  
OF THIS LIFT IS**  
**1600 LBS.**  
WHEN THE LOAD IS  
CENTERED ON PLATFORM

**CAPACITY DECAL  
(RCM-1600, ONLY)**  
P/N 224751



**THE MAXIMUM CAPACITY  
OF THIS LIFT IS**  
**1250 LBS.**  
WHEN THE LOAD IS  
CENTERED ON PLATFORM

**CAPACITY DECAL  
(RCM-1250, ONLY)**  
P/N 226006

**OPERATING INSTRUCTIONS**

UNLOCK AND UNFOLD PLATFORM

**1**

UNFOLD FLIPOVER IF EQUIPPED.

**2**

RAISE / LOWER

**3**

TO STOW UNIT AWAY, RELEASE PLATFORM HOOK AND REVERSE STEPS 1 & 2.

**4**

DECAL, P/N 252899

**INSTRUCTION DECAL**  
P/N 252899

**⚠ WARNING**

**READ THIS INFORMATION CAREFULLY**

- Improper operation of this Liftgate can result in serious personal injury. Do not operate unless you have been properly instructed and have read, and are familiar with the operating instructions. If you do not have a copy of the instructions, please obtain them from your employer, distributor, or lessor before you attempt to operate Liftgate.
- Be certain that the vehicle is properly and securely braked before using the Liftgate.
- Always inspect this Liftgate for maintenance or damage before using it. If there are signs of improper maintenance, damage to vital parts, or slippery Platform surface, do not use the Liftgate until these problems have been corrected.
- Do not overload the Liftgate. The load limit is based on evenly distributed cargo over the entire Platform surface. If you are using a pallet jack, be sure it can be maneuvered safely. Do not operate a forklift on the Platform or travel with the platform in an open position at any time.
- Load should be placed in a stable position close to the edge of the Platform nearest the truck. The heaviest portion of the load should never be placed beyond the center of the Platform away from the truck.
- Never allow yourself, a helper, or bystander to stand in a position where a falling load could land on either of you. Also do not allow any part of yours or your helper's body to be placed under, within, or around any portion of the moving Liftgate, or its mechanisms, or in a position that would trap them between the platform and the ground or truck when the Liftgate is operated.
- If a helper is riding the Platform with you, make sure you are both doing so safely and that you are not in danger of coming in contact with any moving or potentially moving obstacles. USE GOOD COMMON SENSE. If load appears to be unsafe, do not lift or lower it.

For a free copy of other manuals that pertain to this model Liftgate, please visit our website at [www.maxonlift.com](http://www.maxonlift.com) or call Customer Service at (800) 227-4116.

MAXON LIFT CORP. PART NO. 264081

**WARNING DECAL**  
P/N 264081

# FORKLIFT ADVISORY

**⚠ WARNING**  
**Keep forklift OFF of platform.**

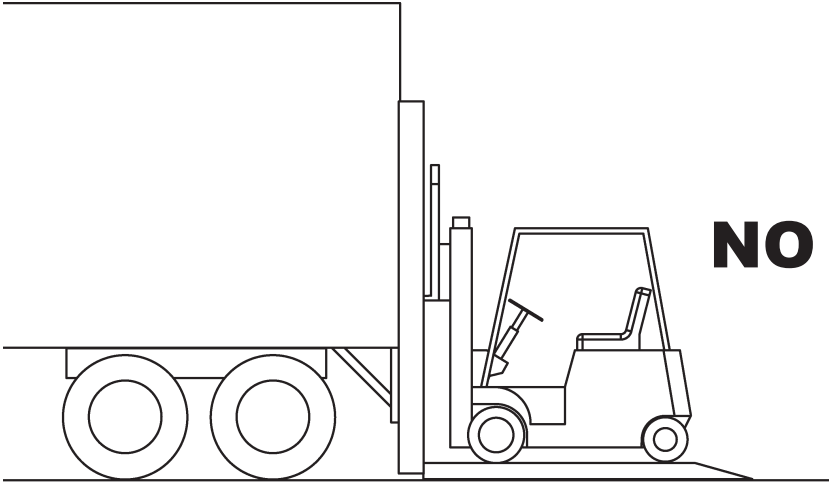


FIG. 7-1

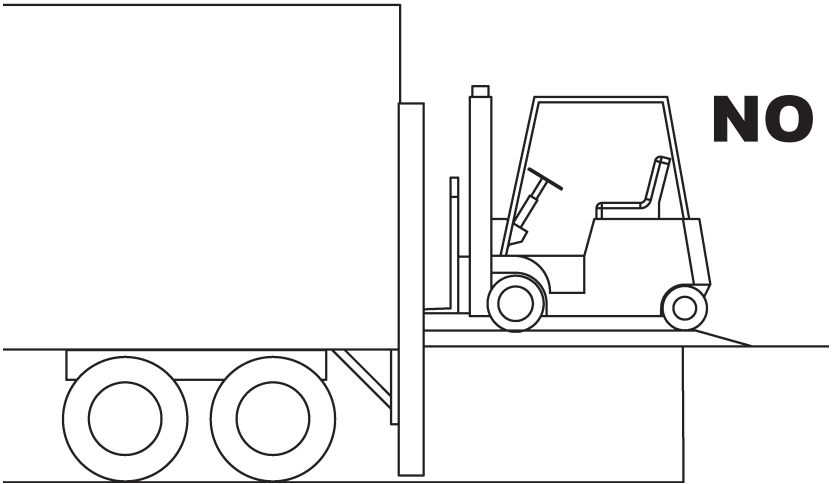


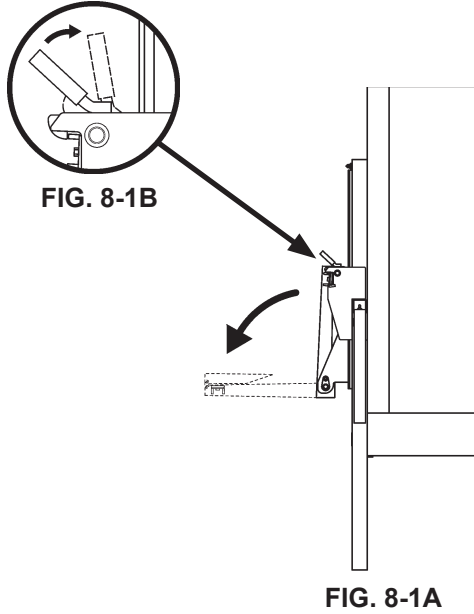
FIG. 7-2

# OPERATION

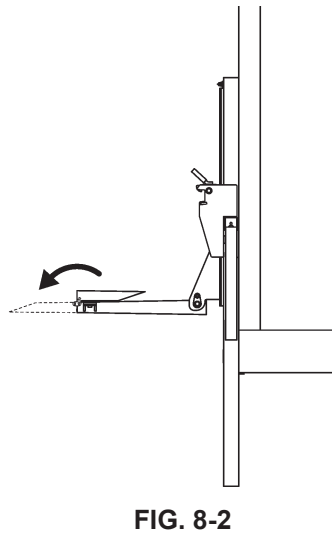
## **WARNING**

**Never operate control switch while unfolding platform.**

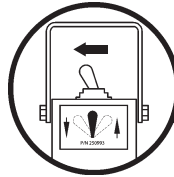
1. Standing to the side of platform (**FIG. 8-1A**), push **UP** on handle to release platform (**FIG. 8-1B**). Unfold the platform as shown in **FIG. 8-1A**.



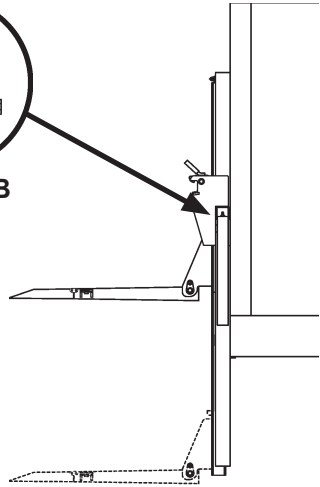
2. Unfold the flipover (**FIG. 8-2**).



3. Push the toggle switch to **DOWN** position as shown in **FIG. 9-1B**. Lower the Liftgate until it touches the ground (**FIG. 9-1A**).



**FIG. 9-1B**



**FIG. 9-1A**

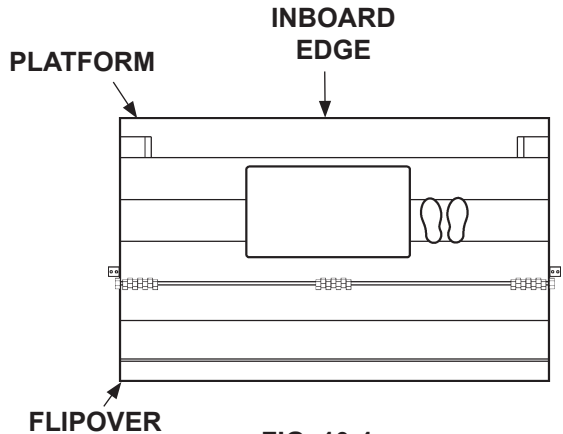


## OPERATION - Continued

### **⚠ WARNING**

**A load should never extend past the edges of the platform. Do not place unstable loads on platform and do not allow load to exceed lifting capacity of Liftgate. If standing on platform, do not allow your feet to extend beyond inboard edge of platform.**

4. Load the platform at ground level and bed level as follows. Place all loads as close as possible to the inboard edge of the platform with heaviest part toward the truck body as shown in **FIG. 10-1**. If you need to stand on platform with the load, stand in the footprint area shown and comply with the preceding **WARNING**.

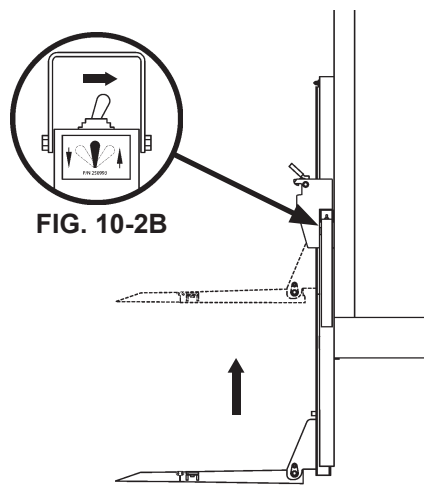


**FIG. 10-1**

### **⚠ WARNING**

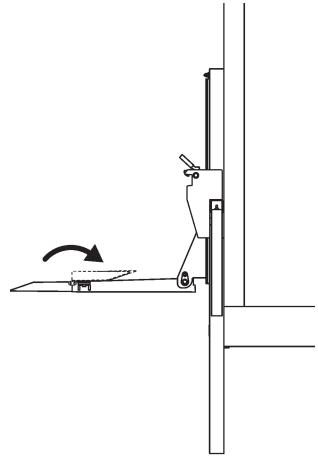
**Never move the vehicle unless the Liftgate is properly stowed.**

5. Before moving the vehicle, prepare the Liftgate as follows. Remove load from platform. If the platform is at ground level, push the control switch to the **UP** position as shown in **FIG. 10-2B**. Release the control switch when platform is all the way up (**FIG. 10-2A**).



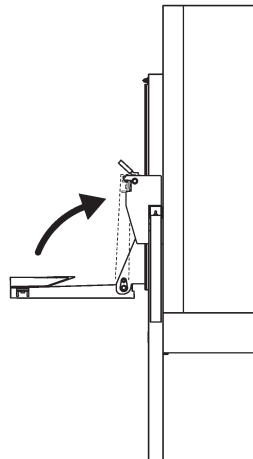
**FIG. 10-2A**

6. Fold the flipover as shown in **FIG. 11-1**.



**FOLDING FLIPOVER**  
**FIG. 11-1**

7. Fold platform until it locks in place (**FIG. 11-2**).



**FOLDING PLATFORM**  
**FIG. 11-2**

8. Liftgate is ready for transport.